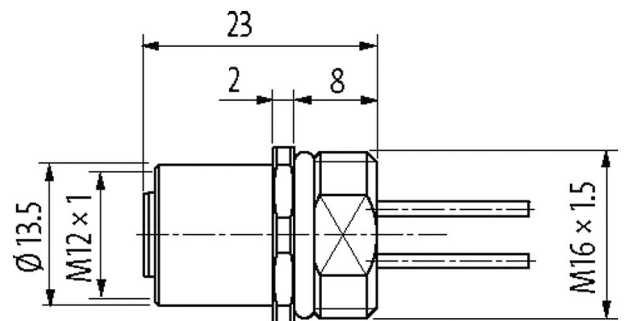
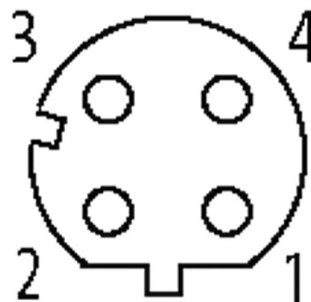


**M12 female receptacle D-cod. front mount**

wires PE 4x0.34 0,2m

Flange female  
M12, 4-pole  
D-coded  
shielded  
Front mounting  
with multi-strand wire

**Illustration****Female**

Product may differ from Image

**More Info**

 EtherCAT


 EtherNet/IP  
performance based
**Form**

Form 14501

**Cables**

Cable number	976
No./diameter of wires	4 × 0.34 mm <sup>2</sup>
Wire isolation	PUR (wh, ye, bl, or)
Outer Ø	1.3 mm ±5%
Bend radius (fixed)	5 × outer Ø
Temperature range (fixed)	-40...+90 °C
Temperature range (mobile)	-25...+90 °C

**Technical Data**

Operating voltage	max. 250 V AC/DC
Operating current per contact	max. 4 A
Transfer parameters	CAT5, Class D (ISO/IEC 11801:2002), (EN 50173-1)
Transfer rate	up to 100 Mbit/s full duplex
Coding	D-coded
Locking of ports	Screw thread (M12×1 mm) recommended torque 0.6 Nm, self-securing
Protection	IP66K, IP67 inserted and tightened (EN 60529)
Protection NEMA	3, 4, 6P (UL 50E)
Locking material	Zinc die casting, matte nickel plated

**Commercial data**

country of origin	DE
customs tariff number	85444290
EAN	4048879197502
eClass	27279220
Packaging unit	1